



Vault Structures, Inc. 3640 Work Drive Fort Myers, Florida 33916
 Phone 239 • 332 • 3270 / 800 • 226 • 3990

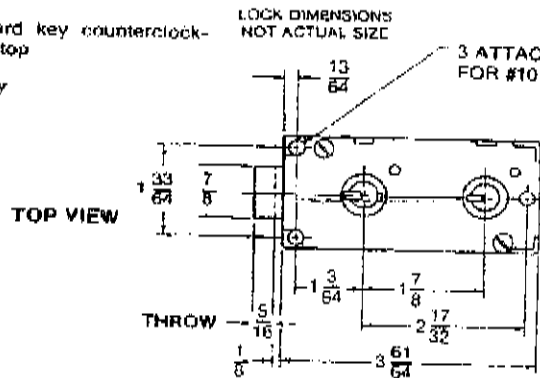
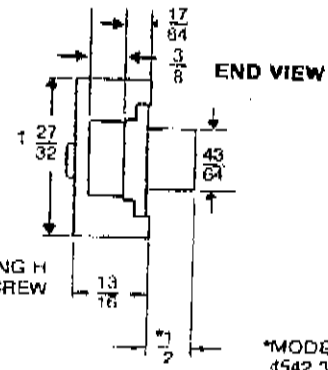
DOUBLE CHANGEABLE SAFE DEPOSIT LOCK INSTRUCTIONS OPERATING & CHANGING INSTRUCTIONS

To Unlock:

- STEP 1 -Insert guard key
 Rotate clockwise until stop
- STEP 2 -Insert renter key
 ROTATE CLOCKWISE UNTIL STOP

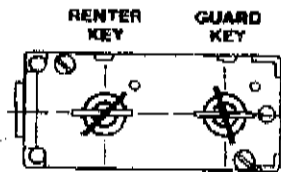
To Lock:

- STEP 1 -Rotate renter's key counterclockwise until stop
 Remove key
- STEP 2 -Rotate guard key counterclockwise until stop
 Remove key



*MODELS
 4542 3 8"

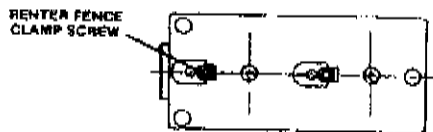
PERFORM CHANGE FUNCTION TO CHANGE RENTER KEY



- STEP 1 -Insert guard key - rotate clockwise until stop
- STEP 2 -Insert renter key - rotate clockwise until stop



- STEP 4 -Rotate renter key clockwise to change stop position - remove key



- STEP 3 -Loosen renter fence clamp screw (on back of lock) with change wrench 3 1/2 turns counterclockwise



- STEP 5 -Insert new renter key - rotate counterclockwise until stop

CAUTION: MAKE SURE KEY DOES NOT MOVE FROM STOP POSITION WHILE TIGHTENING CLAMP SCREW