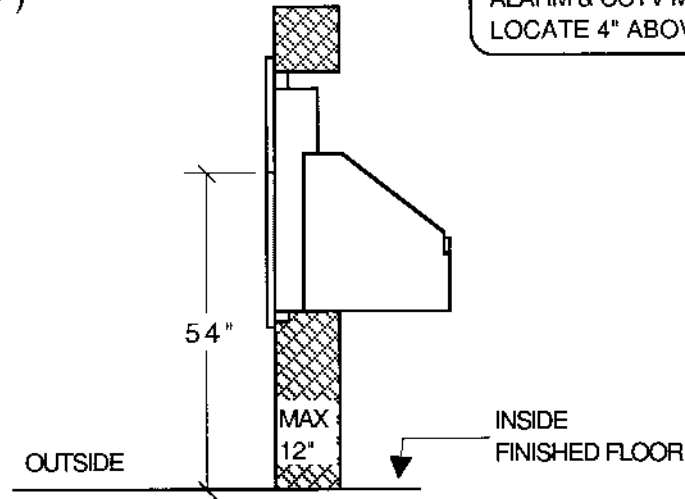
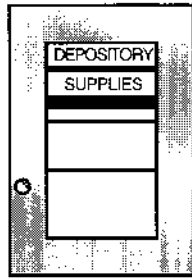
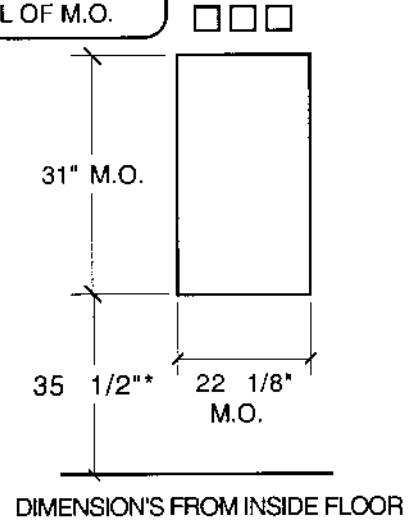


MASONRY OPENINGS
ALL WALK UP MODELS
(DESIGNATED BY PREFIX "W")
54" TO HANDLE



(3) 4" X 4" X 2" J.B.
 1- FOR 110 V. LIGHT
 1-ALARM J.B. FOR THERMO/D.C.
 1-CCTV FOR OPTIONAL CAMERA
 ALARM & CCTV MAYBE COMBINED
 LOCATE 4" ABOVE C/L OF M.O.



SECTION VIEW

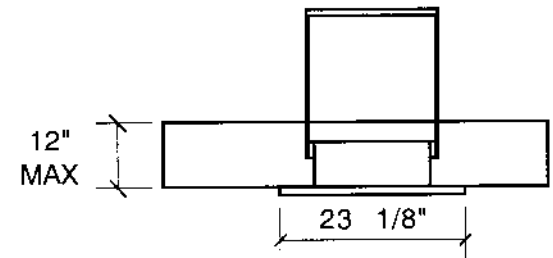
*FOR 48" HEIGHT FOR HANDLE
 REDUCE TO 29 1/2"

NOTE: IF WALK/FLOOR LEVEL ARE NOT THE SAME
 NOTIFY V.S.I. FOR SPECIAL CONFIGURATION

-RECOMMEND-NIGHT DEPOSITORY SHOULD BE PLACED
 UNDER CANOPY

-HIGH LIGHTING MUST BE PROVIDED

-RECOMMENDED (2) 3/8" BOLTS IN BOTTOM TO
 ANCHOR SAFE



V.S.I.
 3640 WORK DR.
 FT. MYERS, FL 33916
 (941) 332-3270
 (941) 332-8584 Fax

**WALK UP
 MODEL**

**MODULAR NIGHT
 DEPOSITORY SYSTEM**

Drn By MD REV. DATE: 08-30-01