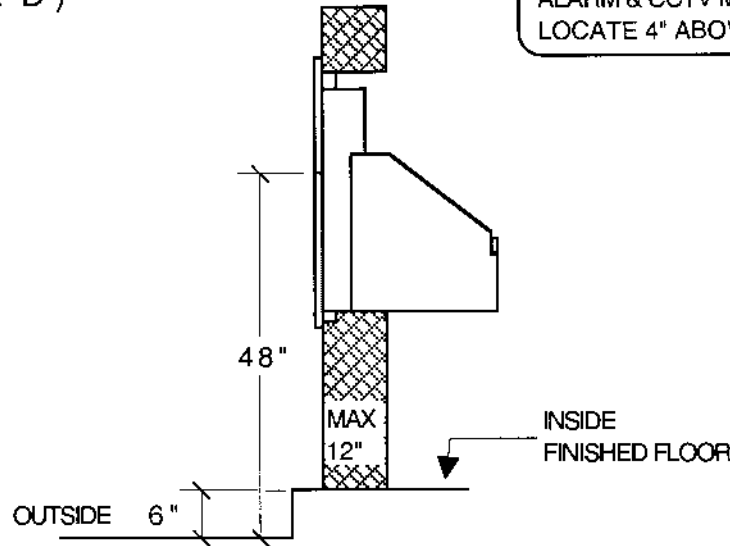
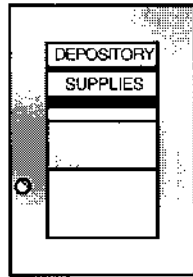
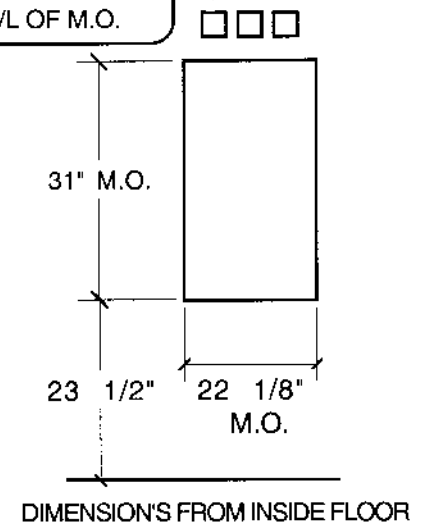


MASONRY OPENINGS

**ALL DRIVE UP MODELS
(DESIGNATED BY PREFIX "D")
48" TO HANDLE**



(3) 4" X 4" X 2" J.B.
1- FOR 110 V. LIGHT
1-ALARM J.B. FOR THERMO/D.C.
1-CCTV FOR OPTIONAL CAMERA
ALARM & CCTV MAYBE COMBINED
LOCATE 4" ABOVE C/L OF M.O.



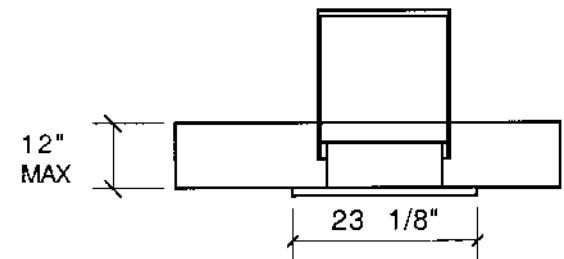
SECTION VIEW

NOTE: IF WALK/FLOOR LEVEL ARE NOT THE SAME
NOTIFY V.S.I. FOR SPECIAL CONFIGURATION

-RECOMMEND-NIGHT DEPOSITORY SHOULD BE PLACED
UNDER CANOPY

-HIGH LIGHTING MUST BE PROVIDED

-RECOMMENDED (2) 3/8" BOLTS IN BOTTOM TO
ANCHOR SAFE



V.S.I.

3640 WORK DR.
FT. MYERS, FL 33916
(941) 332-3270
(941) 332-8584 Fax

**DRIVE UP
MODEL**

**MODULAR NIGHT
DEPOSITORY SYSTEM**

Drn By MD REV. DATE: 08-30-01