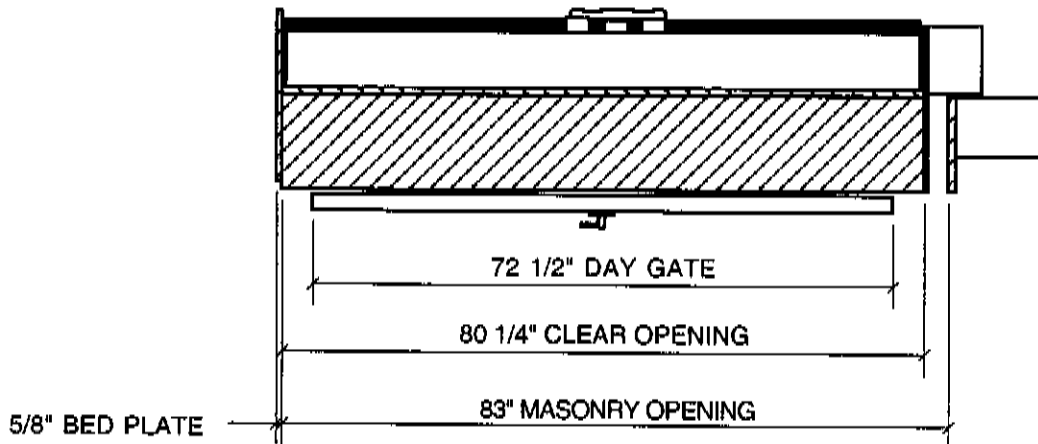
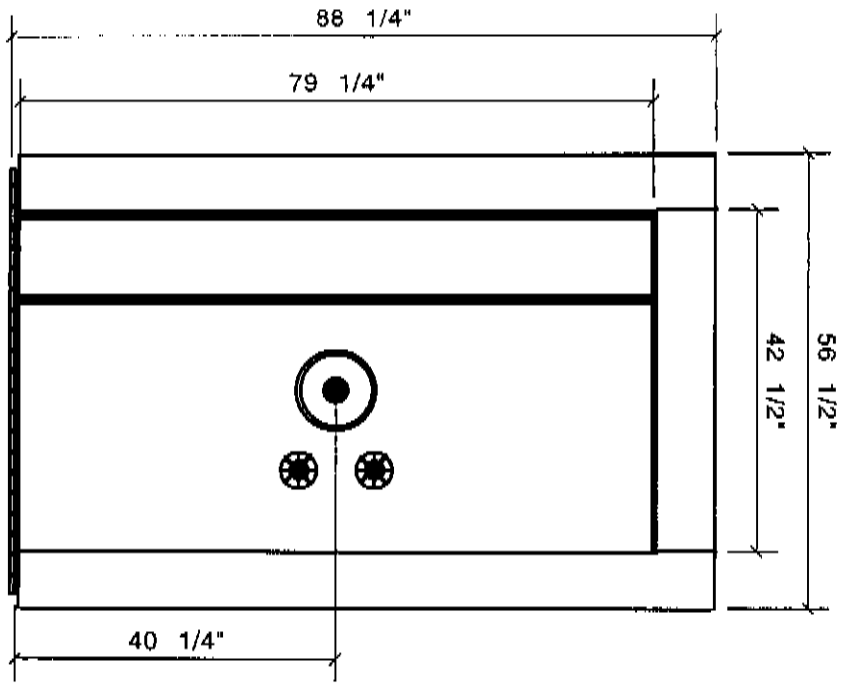


INFORMATION & DIMENSIONS ARE SAME FOR RHS & LHS DOORS

VAULT STRUCTURES 3640 WORK DR. FT. MYERS, FL 33916 (941) 332-3270 (941) 332-8584 Fax		PLAN VIEW		Sheet No. 1 of 3	
App. By	Date App.	Dirn By	Job No.	Rev.	
Date: 9/11/00	Scale: 1/2" = 1'-0"	FC			



VAULT STRUCTURES

3640 WORK DR.
 FT. MYERS, FL 33916
 (941) 332-3270
 (941) 332-8584 Fax

FRONT VIEW

App. By

Date App.

Date: 9/11/00

Scale: 1/2" = 1'-0"

Dim By RC

Job No.

Sheet No.

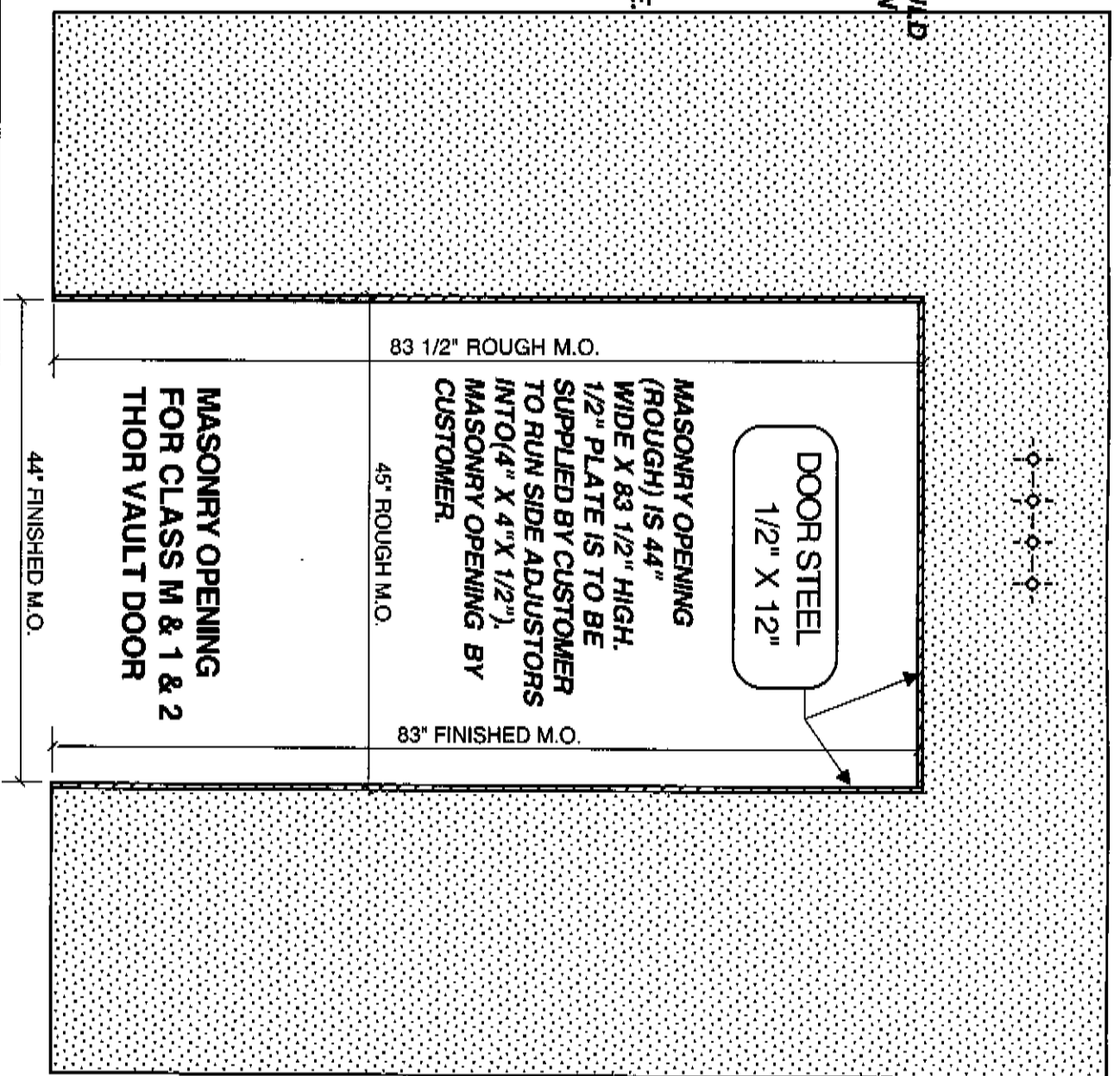
2 of 3

Rev.

***NOTE:**
 RECOMMENDED THAT THERE WILL BE
 (4) 3/4" CONDUITS TO SUPPLY DOOR
 & VAULT WITH POWER. CONDUITS SHOULD
 BE LOCATED EITHER ABOVE DOOR OR IN
 ROOF ABOVE DOOR.

DOOR IS INSTALLED FLUSH TO
 OUTSIDE WALL OF VAULT. IF A
 LARGER VESTIBULE IS REQUIRED,
 THERE WILL BE AN ADDITIONAL CHARGE.

DOOR COMES EQUIPPED
 TO BE INSTALLED WITH
 A 12" VESTIBULE, IF A
 LARGER VESTIBULE IS
 REQUIRED, PLEASE ADVISE.



VAULT STRUCTURES
 3640 WORK DR.
 FT. MYERS, FL 33916
 (941) 332-3270
 (941) 332-8584 Fax

MASONRY OPENING

App. By	Date App.	Dim By	PC	Job No.
Date: 9/11/00	Scale: 1/2" = 1'-0"			

Sheet No.

3 of 3

Rev.