



# TL15 & TL30 Plate Safes

## Standard Features

**1" Steel Door – TL15**

**1 3/4" Steel and Manganese Door – TL30**

**Special VSI Locking Design**

**Special VSI Hinge Design**

**Epoxy Paint Finish**

**UL Listed**

## Versatility

Standard safes range in size from 26" high to 74" high. Special sizes are available to meet any customer needs. Options include special VSI locking configurations, adjustable or fixed shelves, decorative panels, depository configurations and special interiors. Standard colors are beige, black and tan. Special colors are available to match submitted paint samples.

## Secure Construction

TL15 and TL30 Safes from VSI are Underwriters Laboratory listed TL15 safes, and TL30 safes are constructed of 1" steel. The TL15 has a 1" steel door. The TL30 door is 1 3/4" steel and manganese. Group 2 combination locks are standard.

## Installation

Safes are shipped crated and normally require professional installation. Safes weighing less than 750 lbs. must be fastened to the floor

## TL15

Standard plate safe selections with Kaba Mas KL combination lock

Model No.	Outside Dimensions	Inside Dimensions
TL1524	24" H x 24" W x 24" D	20 3/4" H x 20 1/2" W x 19 1/2" D
TL1526	26" H x 26" W x 24" D	22 3/4" H x 22 1/2" W x 19 1/2" D
TL1536	36" H x 24" W x 24" D	32 3/4" H x 20 1/2" W x 19 1/2" D
TL153636	36" H x 36" W x 24" D	32 3/4" H x 32 1/2" W x 19 1/2" D
TL1570	70" H x 37" W x 32" D	66 3/4" H x 33 1/2" W x 27 1/2" D
TL1574	74" H x 37" W x 32" D	70 3/4" H x 33 1/2" W x 27 1/2" D

## TL30

Standard plate safe selections with Kaba Mas KL combination lock

Model No.	Outside Dimensions	Inside Dimensions
2626-30	26" H x 26" W x 24" D	22 3/4" H x 22 1/4" W x 18 3/4" D
3030-30	30" H x 30" W x 24" D	26 3/4" H x 26 1/4" W x 18 3/4" D
3636-30	36" H x 36" W x 24" D	32 3/4" H x 32 1/4" W x 18 3/4" D
4040-30	40" H x 40" W x 24" D	36 3/4" H x 36 1/4" W x 18 3/4" D
7438-30	74" H x 38" W x 33" D	70 3/4" H x 34 1/4" W x 27 3/4" D

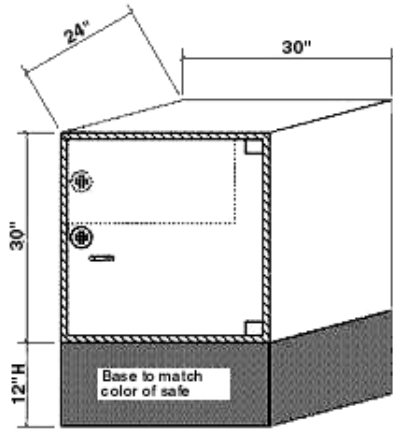
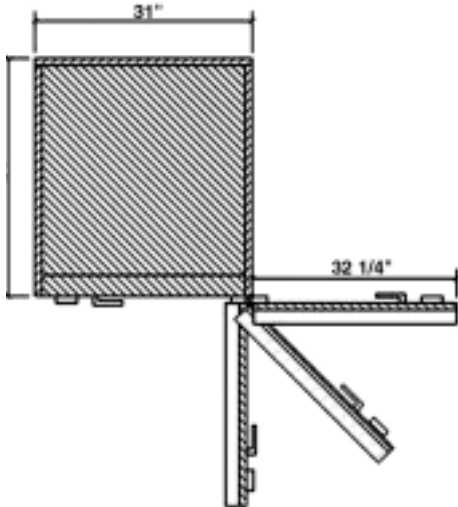
Manufacturer reserves the right to change product specifications without notice.



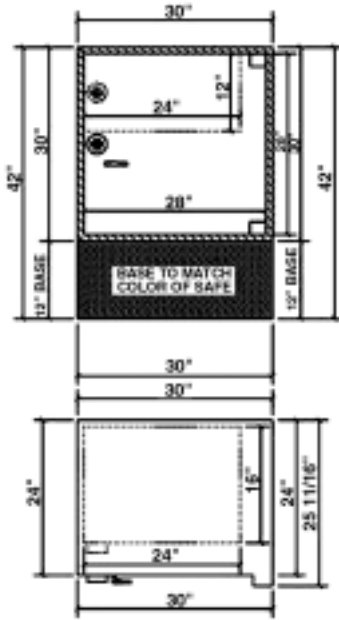
**Vault Structures, Inc.**  
 3640 Work Drive  
 Fort Myers, FL 33916  
 Telephone 239•332•3270  
 800•226•3990  
[www.vaultstructures.com](http://www.vaultstructures.com)

*Vaulting Security Solutions to New Levels . . .*





**TL30**  
**30W x 30H x 24"D**  
**with electronic**  
**combo lock**  
  
**Interior with 12"H**  
**compartment (with**  
**electronic**  
**combo lock)**



**TL-30**  
**30W X 30H X 24D**  
**WITH ELECTRONIC**  
**COMBO LOCK**  
  
**BASE FOR SAFE**  
**TO SIT ON TO**  
**MAKE IT MORE**  
**ACCESSIBLE**  
**(12" H)**  
  
**INTERIOR WITH 12" H**  
**COMPARTMENT**  
**(WITH ELECTRONIC**  
**COMBO LOCK)**