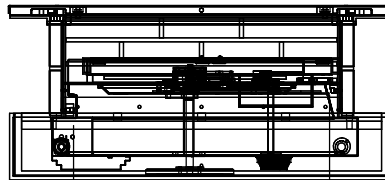
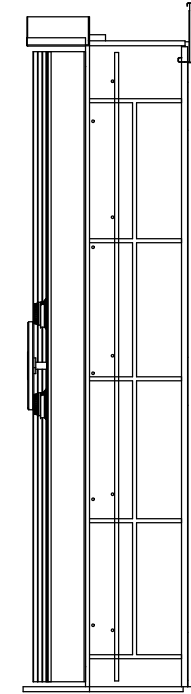
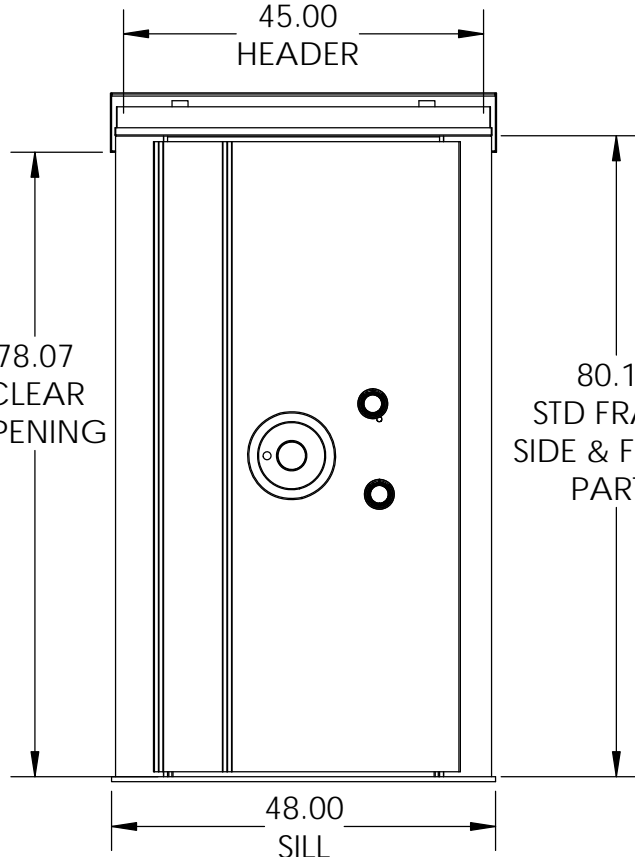
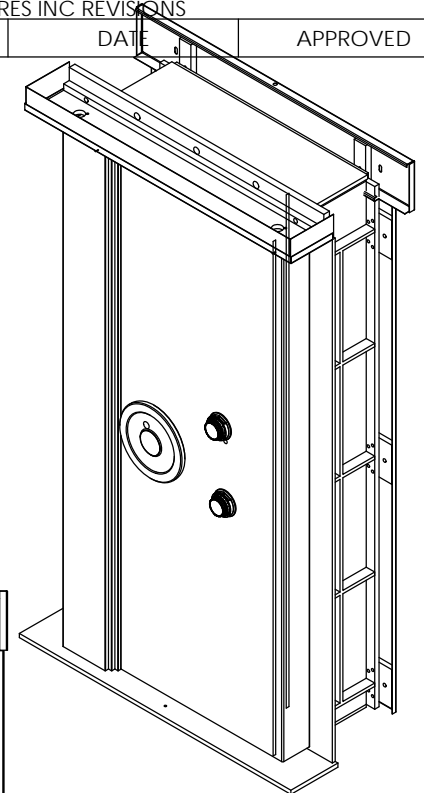


REV.	DESCRIPTION	DATE	APPROVED
------	-------------	------	----------

THOR III 78 X 32 C.O. LS MTO  
 83"H X 39"W M.O.  
 DOOR WEIGHT: 2,390 LBS  
 FRAME WEIGHT: 975 LBS  
 TOTAL WEIGHT: 3,365 LBS



32.00  
 CLEAR OPENING



**Vault Structures, Inc.**  
 3640 WORK DRIVE,  
 FORT MYERS, FL 33916.  
 Telephone: 239-332-3270  
 Fax: 239-332-5593

**PROPRIETARY AND CONFIDENTIAL**  
 THE INFORMATION CONTAINED IN THIS DRAWING IS THE SOLE PROPERTY OF VAULT STRUCTURES, INC. ANY REPRODUCTION IN PART OR AS A WHOLE WITHOUT THE WRITTEN PERMISSION OF VAULT STRUCTURES, INC IS PROHIBITED.

MATERIAL :  
 GAUGE :  
 GRAIN :  
 BEND RAD. :  
 K-FACTOR:

DWG. NO. THOR III 83-39 MO - 78-32 CO LS  
 TITLE: TBD

DRAWN BY: SAC  
 MODEL BY: SAC

WEIGHT: 3364.46  
 SCALE: 1:24

DATE: 12/20/2012  
 SHEET 1 OF 1

REV  
 X