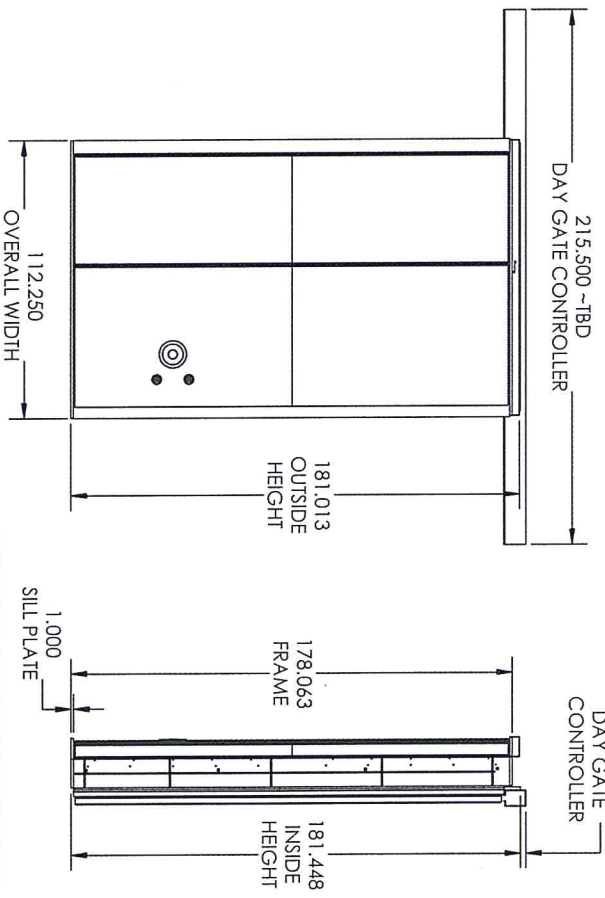
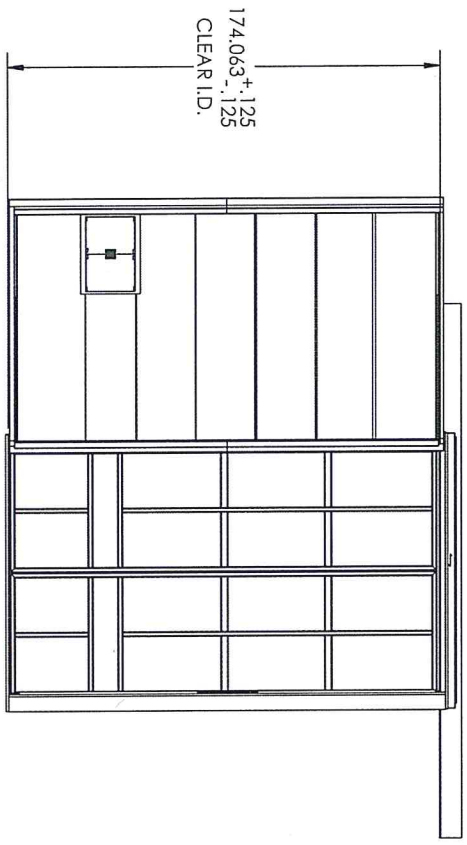
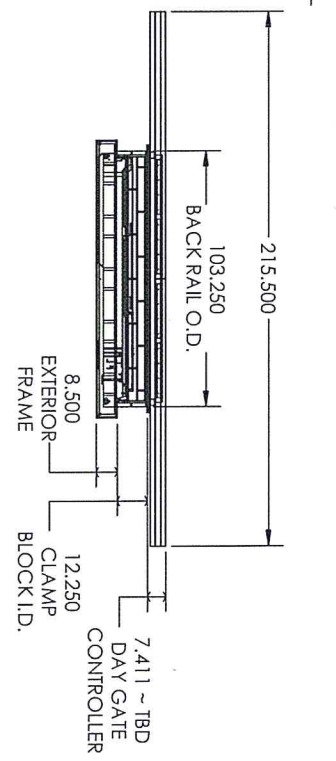
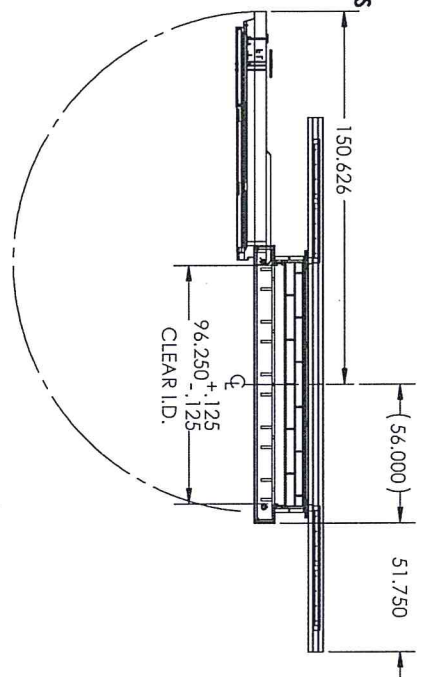


THOR III MTO VAULT DOOR
LEFT HAND SWING
POWER CENTER SLIDING DAY GATE
AUTO OPEN AND CLOSE
174" HIGH X 96" WIDE CLEAR OPENING
TWO (2) KABA 252 V ELECTRONIC LOCKS



REVISIONS		DATE	APPROVED
ZONE	REV.	DESCRIPTION	



Vault Structures, Inc.
 3540 YORK DRIVE
 FORT WORTH, TX 76116
 (817) 292-5593
 FAX: (817) 292-5594

RESIDENTIAL AND COMMERCIAL
 1000 W. WYOMING ST. SUITE 100
 FORT WORTH, TX 76104
 (817) 292-5593
 FAX: (817) 292-5594

MATERIAL: FERROCONCRETE
 FINISH: POLISHED
 COATING: EPOXY
 COLOR: RAL 7035
 BEARING: 1000 LB
 FACTORY: 1000 LB

DWG. NO. TBD
 CLASS M-174H X 96W CO
 DRAWN BY: SAC
 DATE: 6/24/2014
 SCALE: 1/4" = 1'-0"

ONLY PAGE ONE SENT FOR APPROVAL

REV X