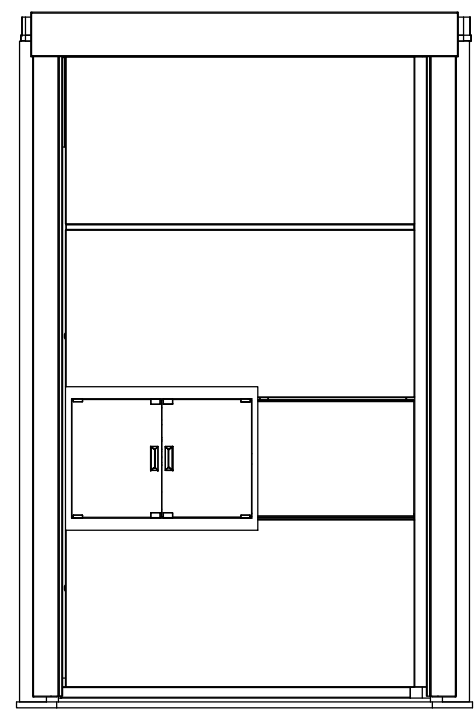
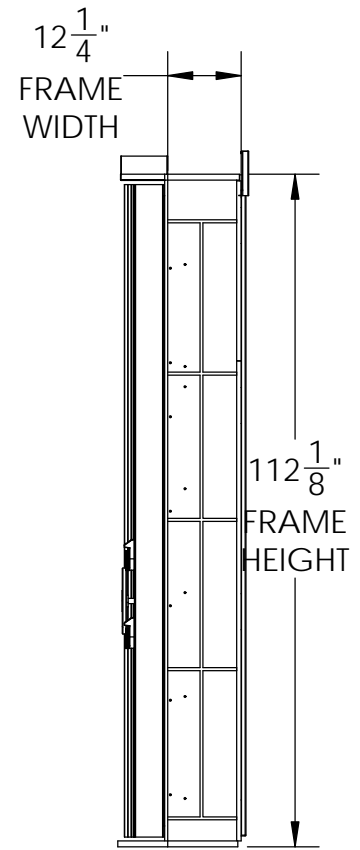
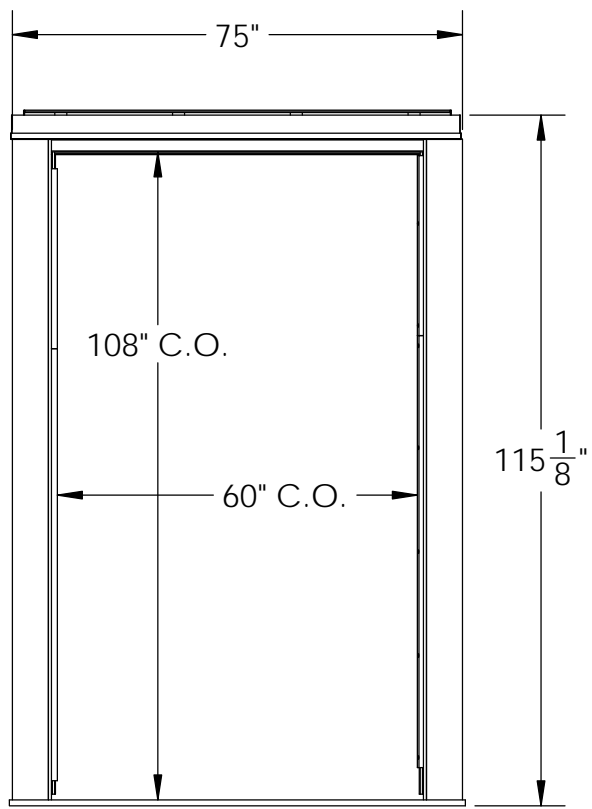
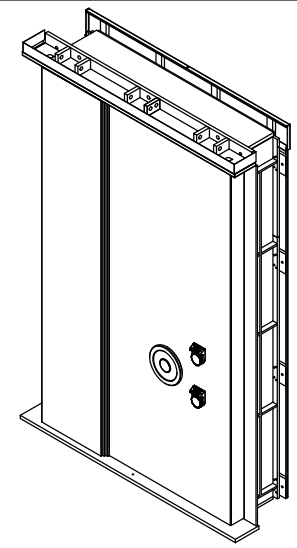
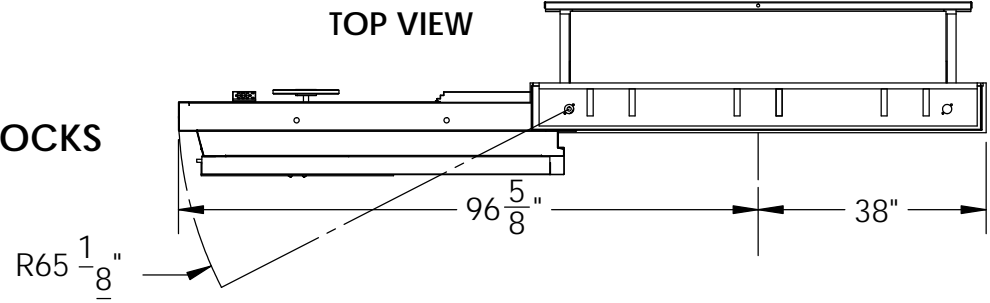


MTO THOR III VAULT DOOR
STAINLESS STEEL CLAD
LEFT HAND SWING
KABA-MAS 252V ELECTRONIC LOCKS
108" H X 60"W CLEAR OPENING

VAULT STRUCTURES INC REVISIONS			
REV.	DESCRIPTION	DATE	APPROVED



Vault Structures, Inc.
 3640 WORK DRIVE,
 FORT MYERS, FL 33916.
 Telephone: 239-332-3270
 Fax: 239-332-5593

PROPRIETARY AND CONFIDENTIAL
 THE INFORMATION CONTAINED IN
 THIS DRAWING IS THE SOLE
 PROPERTY OF VAULT STRUCTURES,
 INC. ANY REPRODUCTION IN PART
 OR AS A WHOLE WITHOUT THE
 WRITTEN PERMISSION OF VAULT
 STRUCTURES, INC IS PROHIBITED.

MATERIAL :
 GAUGE :
 GRAIN :
 BEND RAD. :
 K-FACTOR:

DWG. NO. MTO VD 113 X 67-108 X 60 C.O
 TITLE: VSI- UL CLASS M VAULT DOOR

DRAWN BY: SAC
 MODEL BY: SAC
 WEIGHT: 7117.14
 SCALE: 1:32

DATE: 10/9/2014
 SHEET 1 OF 1

REV
X